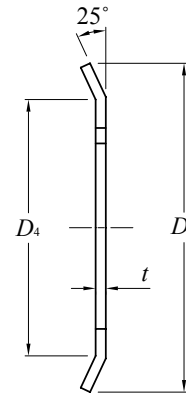
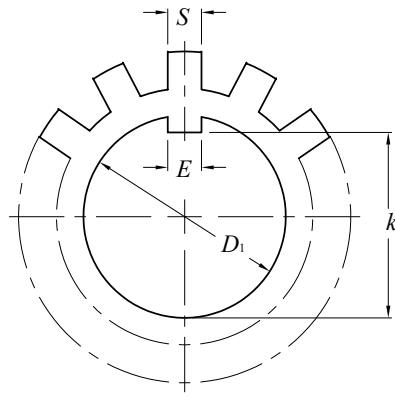


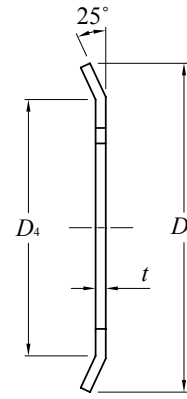
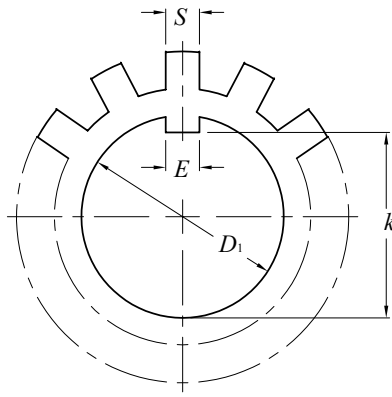
# Lockwashers



**AW**  
**MB**

| Lock Washer <sup>1)</sup> | $D_1$ | $k$   | $E$ | $t$ | $S$ | $D_4$ | $D_5$ | Number of tongues | Weight per 100 pieces (kgs) | Lock Nut No. |
|---------------------------|-------|-------|-----|-----|-----|-------|-------|-------------------|-----------------------------|--------------|
| Part No.                  | mm    | mm    | mm  | mm  | mm  | mm    | mm    |                   |                             |              |
| AW 00                     | 10    | 8.5   | 3   | 1   | 3   | 13.5  | 21    | 9                 | 0.131                       | AN 00        |
| AW 01                     | 12    | 10.5  | 3   | 1   | 3   | 17    | 25    | 9                 | 0.192                       | AN 01        |
| AW 02                     | 15    | 13.5  | 4   | 1   | 4   | 21    | 28    | 13                | 0.253                       | AN 02        |
| AW 03                     | 17    | 15.5  | 4   | 1   | 4   | 24    | 32    | 13                | 0.313                       | AN 03        |
| AW 04                     | 20    | 18.5  | 4   | 1   | 4   | 26    | 36    | 13                | 0.350                       | AN 04        |
| AW 05                     | 25    | 23    | 5   | 1.2 | 5   | 32    | 42    | 13                | 0.640                       | AN 05        |
| AW 06                     | 30    | 27.5  | 5   | 1.2 | 5   | 38    | 49    | 13                | 0.780                       | AN 06        |
| AW 07                     | 35    | 32.5  | 6   | 1.2 | 5   | 44    | 57    | 15                | 1.040                       | AN 07        |
| AW 08                     | 40    | 37.5  | 6   | 1.2 | 6   | 50    | 62    | 15                | 1.230                       | AN 08        |
| AW 09                     | 45    | 42.5  | 6   | 1.2 | 6   | 56    | 69    | 17                | 1.520                       | AN 09        |
| AW 10                     | 50    | 47.5  | 6   | 1.2 | 6   | 61    | 74    | 17                | 1.600                       | AN 10        |
| AW 11                     | 55    | 52.5  | 8   | 1.5 | 7   | 67    | 81    | 17                | 1.960                       | AN 11        |
| AW 12                     | 60    | 57.5  | 8   | 1.5 | 7   | 73    | 86    | 17                | 2.530                       | AN 12        |
| AW 13                     | 65    | 62.5  | 8   | 1.5 | 7   | 79    | 92    | 19                | 2.900                       | AN 13        |
| AW 14                     | 70    | 66.5  | 8   | 1.5 | 8   | 85    | 98    | 19                | 3.340                       | AN 14        |
| AW 15                     | 75    | 71.5  | 8   | 1.5 | 8   | 90    | 104   | 19                | 3.560                       | AN 15        |
| AW 16                     | 80    | 76.5  | 10  | 1.8 | 8   | 95    | 112   | 19                | 4.640                       | AN 16        |
| AW 17                     | 85    | 81.5  | 10  | 1.8 | 8   | 102   | 119   | 19                | 5.240                       | AN 17        |
| AW 18                     | 90    | 86.5  | 10  | 1.8 | 10  | 108   | 126   | 19                | 6.230                       | AN 18        |
| AW 19                     | 95    | 91.5  | 10  | 1.8 | 10  | 113   | 133   | 19                | 6.700                       | AN 19        |
| AW 20                     | 100   | 96.5  | 12  | 1.8 | 10  | 120   | 142   | 19                | 7.650                       | AN 20        |
| AW 21                     | 105   | 100.5 | 12  | 1.8 | 12  | 126   | 145   | 19                | 8.260                       | AN 21        |
| AW 22                     | 110   | 105.5 | 12  | 1.8 | 12  | 133   | 154   | 19                | 9.400                       | AN 22        |
| AW 23                     | 115   | 110.5 | 12  | 2   | 12  | 137   | 159   | 19                | 10.800                      | AN 23        |
| AW 24                     | 120   | 115   | 14  | 2   | 12  | 138   | 164   | 19                | 10.500                      | AN 24        |
| AW 25                     | 125   | 120   | 14  | 2   | 12  | 148   | 170   | 19                | 11.800                      | AN 25        |
| AW 26                     | 130   | 125   | 14  | 2   | 12  | 149   | 175   | 19                | 11.300                      | AN 26        |
| AW 27                     | 135   | 130   | 14  | 2   | 14  | 160   | 185   | 19                | 14.400                      | AN 27        |
| AW 28                     | 140   | 135   | 16  | 2   | 14  | 160   | 192   | 19                | 14.200                      | AN 28        |
| AW 29                     | 145   | 140   | 16  | 2   | 14  | 171   | 202   | 19                | 16.800                      | AN 29        |
| AW 30                     | 150   | 145   | 16  | 2   | 14  | 171   | 205   | 19                | 15.500                      | AN 30        |
| AW 31                     | 155   | 147.5 | 16  | 2.5 | 16  | 182   | 212   | 19                | 20.900                      | AN 31        |
| AW 32                     | 160   | 154   | 18  | 2.5 | 16  | 182   | 217   | 19                | 22.200                      | AN 32        |

# Lockwashers



## AW MB

| Lock washer <sup>1)</sup> | $D_1$ | $k$   | $E$ | $t$ | $S$ | $D_4$ | $D_5$ | Number of<br>tongues | Weight per<br>100 pieces<br>(kgs) | Lock Nut<br>No. |
|---------------------------|-------|-------|-----|-----|-----|-------|-------|----------------------|-----------------------------------|-----------------|
| Part No.                  | mm    | mm    | mm  | mm  | mm  | mm    | mm    |                      |                                   |                 |
| AW 33                     | 165   | 157.5 | 18  | 2.5 | 16  | 193   | 222   | 19                   | 24.100                            | AN 33           |
| AW 34                     | 170   | 164   | 18  | 2.5 | 16  | 193   | 232   | 19                   | 24.700                            | AN 34           |
| AW 36                     | 180   | 174   | 20  | 2.5 | 18  | 203   | 242   | 19                   | 26.800                            | AN 36           |
| AW 38                     | 190   | 184   | 20  | 2.5 | 18  | 214   | 252   | 19                   | 27.800                            | AN 38           |
| AW 40                     | 200   | 194   | 20  | 2.5 | 18  | 226   | 262   | 19                   | 29.300                            | AN 40           |
| AW 44                     | 220   | 213   | 24  | 3.0 | 20  | 250   | 292   | 19                   | 48.300                            | AN 44           |
| AW 48                     | 240   | 233   | 24  | 3.0 | 20  | 270   | 312   | 19                   | 50.200                            | AN 48           |
| AW 52                     | 260   | 253   | 28  | 3.0 | 24  | 300   | 342   | 23                   | 72.900                            | AN 52           |
| AW 56                     | 280   | 273   | 28  | 3.0 | 24  | 320   | 362   | 23                   | 75.900                            | AN 56           |

NOTE : The specifications of AW can be applied for MB 。 AW 的尺寸規格適用於 MB 。

## AWL MBL

| Lock washer <sup>1)</sup> | $D_1$ | $k$ | $E$ | $t$ | $S$ | $D_4$ | $D_5$ | Number of<br>tongues | Weight per<br>100 pieces<br>(kgs) | Lock Nut<br>No. |
|---------------------------|-------|-----|-----|-----|-----|-------|-------|----------------------|-----------------------------------|-----------------|
| Part No.                  | mm    | mm  | mm  | mm  | mm  | mm    | mm    |                      |                                   |                 |
| AWL 24                    | 120   | 115 | 14  | 2   | 12  | 135   | 151   | 19                   | 7.700                             | ANL 24          |
| AWL 26                    | 130   | 125 | 14  | 2   | 12  | 145   | 161   | 19                   | 8.700                             | ANL 26          |
| AWL 28                    | 140   | 135 | 16  | 2   | 12  | 155   | 171   | 19                   | 10.900                            | ANL 28          |
| AWL 30                    | 150   | 145 | 16  | 2   | 14  | 170   | 188   | 19                   | 11.300                            | ANL 30          |
| AWL 32                    | 160   | 154 | 18  | 2.5 | 14  | 180   | 199   | 19                   | 16.200                            | ANL 32          |
| AWL 34                    | 170   | 164 | 18  | 2.5 | 16  | 190   | 211   | 19                   | 19.000                            | ANL 34          |
| AWL 36                    | 180   | 174 | 20  | 2.5 | 16  | 200   | 221   | 19                   | 18.000                            | ANL 36          |
| AWL 38                    | 190   | 184 | 20  | 2.5 | 16  | 210   | 231   | 19                   | 20.500                            | ANL 38          |
| AWL 40                    | 200   | 194 | 20  | 2.5 | 18  | 222   | 248   | 19                   | 21.400                            | ANL 40          |

NOTE : The specifications of AWL can be applied for MBL 。 AWL 的尺寸規格適用於 MBL 。