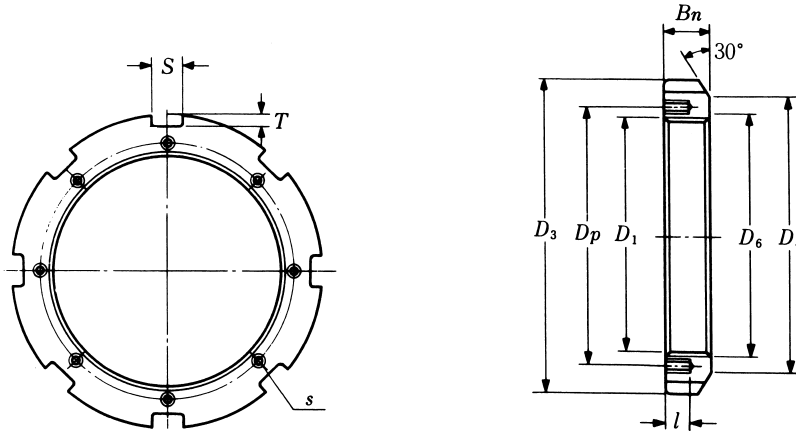


Locknuts



AN HM 31

Lock Nut Part No.	D ₁ Thread ¹⁾	D ₃ mm	D ₄ mm	S mm	T mm	D ₆ mm	B _n mm	i mm	Tapped Hole s Threads	D _p mm	Suitable Lock Plate No.	Weight (kgs)
AN 44	Tr 220 × 4	280	250	20	10	222	32	15	M 8 × 1.25	238	AL 44	5.200
AN 48	Tr 240 × 4	300	270	20	10	242	34	15	M 8 × 1.25	258	AL 48	5.950
AN 52	Tr 260 × 4	330	300	24	12	262	36	18	M 10 × 1.5	281	AL 52	8.050
AN 56	Tr 280 × 4	350	320	24	12	282	38	18	M 10 × 1.5	301	AL 56	9.050
AN 60	Tr 300 × 4	380	340	24	12	302	40	18	M 10 × 1.5	326	AL 60	11.800
AN 64	Tr 320 × 5	400	360	24	12	322.5	42	18	M 10 × 1.5	345	AL 64	13.100
AN 68	Tr 340 × 5	440	400	28	15	342.5	55	21	M 12 × 1.75	372	AL 68	23.100
AN 72	Tr 360 × 5	460	420	28	15	362.5	58	21	M 12 × 1.75	392	AL 72	25.100
AN 76	Tr 380 × 5	490	440	32	18	382.5	60	21	M 12 × 1.75	414	AL 76	30.900
AN 80	Tr 400 × 5	520	460	32	18	402.5	62	27	M 16 × 2.0	439	AL 80	36.900
AN 84	Tr 420 × 5	540	490	32	18	422.5	70	27	M 16 × 2.0	459	AL 84	43.500
AN 88	Tr 440 × 5	560	510	36	20	442.5	70	27	M 16 × 2.0	477	AL 88	45.300
AN 92	Tr 460 × 5	580	540	36	20	462.5	75	27	M 16 × 2.0	497	AL 92	50.400
AN 96	Tr 480 × 5	620	560	36	20	482.5	75	27	M 16 × 2.0	527	AL 96	62.200
AN 100	Tr 500 × 5	630	580	40	23	502.5	80	27	M 16 × 2.0	539	AL 100	63.300

Note :

- 1) Tr means 30°, trapezoid thread and the digits are major diameter of thread and pitch。
Tr 代表 30°，梯形螺紋；數字代表螺紋外徑及螺距。
- 2) The specifications of AN can be applied for HM31。
AN 的尺寸規格適用於 HM31。